

NOMENCLATURE

MODELE. LS1040

| REPERE | CODE | DESIGNATION | QTE | NOTE |
|--------|----------|---------------------------------|-----|----------|
| 001 | 416004-6 | COUVERCLE POIGNEE | 1 | |
| 002 | 211206-7 | ROULEMENT A BILLES 6202 | 1 | |
| 003 | 267280-3 | RONDELLE PLATE 15 | 1 | |
| 004 | 343641-2 | LEVIER DE BLOCAGE | 1 | |
| 005 | 241909-9 | VENTILATEUR 80 | 1 | |
| 006 | 516718-8 | INDUIT LS1040 INC. 2,3,5,7,8 | 1 | |
| 007 | 681640-9 | RONDELLE ISOLATION | 1 | |
| 008 | 211061-7 | ROULEMENT A BILLES 6000LLB | 1 | |
| 009 | 416442-2 | CARTER VENTILATEUR | 1 | |
| 010 | 526068-3 | INDUCTEUR LS1040 | 1 | 220/240V |
| 011 | 265995-6 | VIS 4X18 | 2 | |
| 012 | 687052-4 | BARRETTE FIXATION 20mm | 1 | 220/240V |
| 013 | 665865-3 | CABLE ELECTRIQUE 6953 | 1 | |
| 014 | 682540-6 | MANCHON CABLE 9,3-90 | 1 | 220/240V |
| 015 | 851559-8 | NAME PLATE LS1040 | 1 | |
| 016 | 265995-6 | VIS 4X18 | 5 | |
| 017 | 911383-2 | VIS M6X60 | 4 | |
| 018 | 411478-6 | BOUTON DE SECURITE | 1 | |
| 019 | 643650-4 | BOUCHON PORTE-CHARBON CB5 | 2 | |
| 020 | 181044-0 | JEU DE CHARBON CB-153 <9100 | 1 | |
| 021 | 154561-3 | CARCASSE MOTEUR LS1040 | 1 | |
| 022 | 651923-1 | INTERR. TG70B | 1 | |
| 023 | 231457-6 | RESSORT 3 | 1 | |
| 024 | 416000-4 | TRINGLE | 1 | |
| 025 | 415999-0 | GACHETTE | 1 | |
| 026 | 414546-4 | CAME LS1013 | 1 | |
| 027 | 266029-8 | VIS 5X65 | 2 | |
| 028 | 231297-2 | RESSORT 9 | 1 | |
| 029 | 251667-9 | VIS HEXAGONALE 8X75 | 1 | |
| 030 | 262511-5 | DOUILLE CAOUCHE 6 | 1 | |
| 031 | 265995-6 | VIS 4X18 | 1 | |
| 032 | 416007-0 | COUVERCLE DE GUIDE | 1 | |
| 033 | 226465-0 | PIGNON 42 | 1 | |
| 034 | 316821-3 | CARTER DE ROULEMENT | 1 | |
| 035 | 211256-2 | ROULEMENT A BILLES 6203LLB | 1 | |
| 036 | 285685-5 | COUVERCLE DU BOÏTIER | 1 | |
| 037 | 322865-3 | AXE | 1 | |
| 038 | 224333-1 | FLASQUE 53 | 1 | |
| 039 | 224333-1 | FLASQUE 53 | 1 | |
| 040 | 265355-2 | VIS HEX COLLERETTE M8X20 | 1 | |
| 041 | 343639-9 | PLAQUE DE CENTRAGE | 1 | |
| 042 | 344380-7 | PLAQUE CENTRALE | 1 | |
| 043 | 265324-3 | VIS HEX COLLERETTE M8X12 | 1 | |
| 044 | 231593-8 | RESSORT 36 | 1 | |
| 045 | 416003-8 | CARTER DE PROTECTION | 1 | |
| 046 | 267136-0 | RONDELLE PLATE 5 | 1 | |
| 047 | 911213-7 | VIS HEX M5X12 | 1 | |
| 048 | 265985-9 | VIS TETE CREUSE M6 | 1 | |
| 049 | 911223-4 | VIS HEX M5X16 | 2 | |
| 050 | 819064-1 | MARQUAGE MAKITA | 1 | |
| 051 | 154560-5 | CARTER DE LAME | 1 | |
| 052 | 265488-3 | VIS TETE HEX M8X30 | 4 | |
| 053 | 316826-3 | BUTEE LS1040 | 1 | |
| 054 | 912342-9 | VIS TETE FRAISEE M6X25 | 1 | |
| 055 | 253715-0 | RONDELLE PLATE 6 | 1 | |
| 056 | 154559-0 | GARDE SECONDAIRE GAUCHE | 1 | |
| 057 | 344476-4 | PLAQUE CONTRE-COUEE | 1 | |

NOMENCLATURE

PAGE 2

MODELE. LS1040

| REPERE | CODE | DESIGNATION | QTE | NOTE |
|--------|----------|--------------------------------|-----|----------|
| 058 | 252014-7 | ECROU HEXAGONAL M6 | 1 | |
| 059 | 251961-9 | VIS TETE CREUSE M6X10 | 1 | |
| 060 | 257162-7 | BAGUE 7 | 1 | |
| 061 | 253823-7 | RONDELLE 7 | 1 | |
| 062 | 265984-1 | VIS TETE CREUSE M6 | 1 | |
| 063 | 344377-6 | BRAS ARTICULE | 1 | |
| 064 | 265984-1 | VIS TETE CREUSE M6 | 1 | |
| 065 | 253823-7 | RONDELLE 7 | 1 | |
| 066 | 257162-7 | BAGUE 7 | 1 | |
| 067 | 416006-2 | LEVIER LS1013 | 1 | |
| 068 | 911113-1 | VIS HEX M4X10 | 1 | |
| 069 | 265437-0 | BOULON MECAN. M10 | 1 | |
| 070 | 253024-7 | RONDELLE PLATE 10 | 1 | |
| 071 | 256836-7 | AXE 16 | 1 | |
| 072 | 154463-3 | BRAS ARTICULE | 1 | |
| 073 | 322317-4 | BUTEE AXIALE | 1 | |
| 074 | 213021-5 | O-RING 5 | 1 | |
| 075 | 233152-4 | RESSORT BOUDIN 28 | 1 | |
| 076 | 344464-1 | CUVETTE | 1 | |
| 077 | 256280-8 | AXE 8 | 1 | |
| 079 | 911113-1 | VIS HEX M4X10 | 1 | |
| 080 | 344385-7 | INDEX | 1 | |
| 081 | 343799-7 | PLAQUE | 3 | |
| 082 | 921452-1 | BOULON MECAN. M8X30 | 1 | |
| 083 | 911213-7 | VIS HEX M5X12 | 2 | |
| 084 | 273495-2 | POIGNEE 32 | 1 | |
| 085 | 344381-5 | RESSORT | 1 | |
| 086 | 154558-2 | BASE LS1040 | 1 | |
| 087 | 316824-7 | PLATEAU TOURNANT | 1 | |
| 088 | 416001-2 | BORDURE | 1 | |
| 089 | 416001-2 | BORDURE | 1 | |
| 090 | 921452-1 | BOULON MECAN. M8X30 | 1 | |
| 091 | 931402-8 | ECROU HEXAGONAL M8 | 1 | |
| 092 | 252105-4 | ECROU HEX M8 | 1 | |
| 093 | 253762-1 | RONDELLE PLATE 8 | 1 | |
| 094 | 931402-8 | ECROU HEXAGONAL M8 | 1 | |
| 095 | 921452-1 | BOULON MECAN. M8X30 | 1 | |
| 096 | 257262-3 | BAGUE 16 LS1214 | 1 | |
| 097 | 251887-5 | VIS M6X10 | 1 | |
| 098 | 265708-5 | VIS M6X20 | 2 | |
| 900 | 344572-8 | PLAQUE BLOCAGE | 1 | |
| 901 | 323720-2 | GOUPILLE 8 | 1 | |
| 902 | 231633-2 | RESSORT | 1 | |
| 903 | 323721-0 | AXE 8 | 1 | |
| 904 | 421589-9 | CAPUCHON | 1 | |
| 905 | 344573-6 | LEVIER BLOCAGE | 1 | |
| 906 | 911113-1 | VIS HEX M4X10 | 2 | |
| 907 | 911113-1 | VIS HEX M4X10 | 2 | |
| A01 | 411478-6 | BOUTON DE SECURITE | 2 | |
| A02 | 762001-3 | EQUERRE | 1 | |
| A03 | 782212-4 | CLE A DOUILLE 13 | 1 | |
| A04 | 122523-9 | SAC A POUSSIERE | 1 | |
| A05 | 193471-9 | GARDE SECONDAIRE DROITE | 1 | |
| A06 | 122536-0 | ETAU COMPLET vertical | 1 | |
| A07 | 257022-3 | BAGUE DE REDUCTION 25>16 EP4,0 | 1 | |
| A08 | 322312-4 | SUPPORT | 2 | |
| E02 | 645105-5 | CONDENSATEUR ANTIPARASITES | 1 | 220/240V |
| E05 | 651941-9 | INTERRUPTEUR V-15-2A5 | 1 | 220/240V |

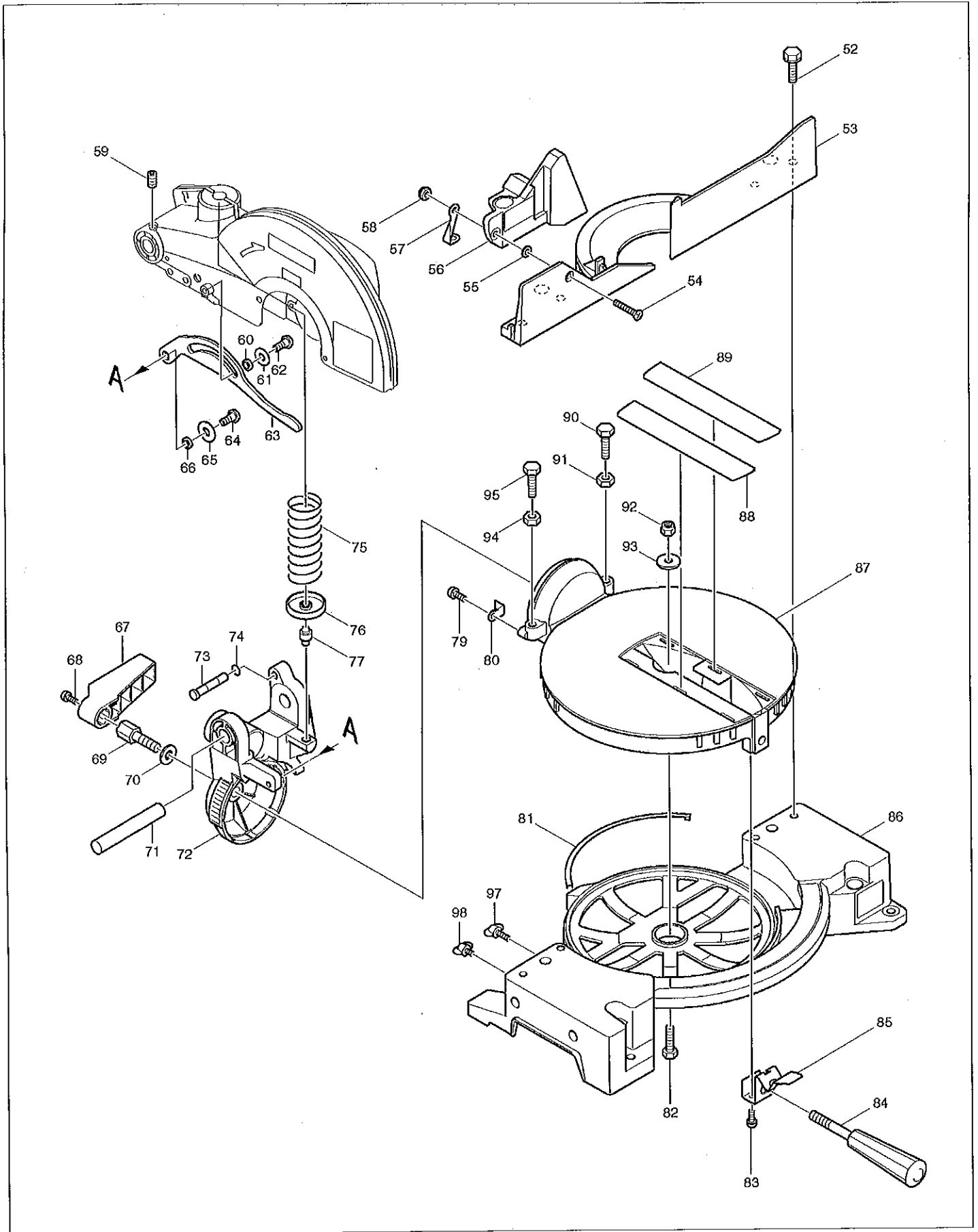
NOMENCLATURE

MODELE. LS1040

| REPERE | CODE | DESIGNATION | QTE | NOTE |
|--------|----------|---------------------------|-----|------|
| E18 | A-80961 | LAME CARB 255-30-32D BOIS | 1 | |
| E19 | 646073-5 | BOBINAGE | 1 | |
| E22 | 819064-1 | MARQUAGE MAKITA | 1 | |

VUES ECLATEES

MODELE. LS1040



VUES ECLATEES

MODELE. LS1040

