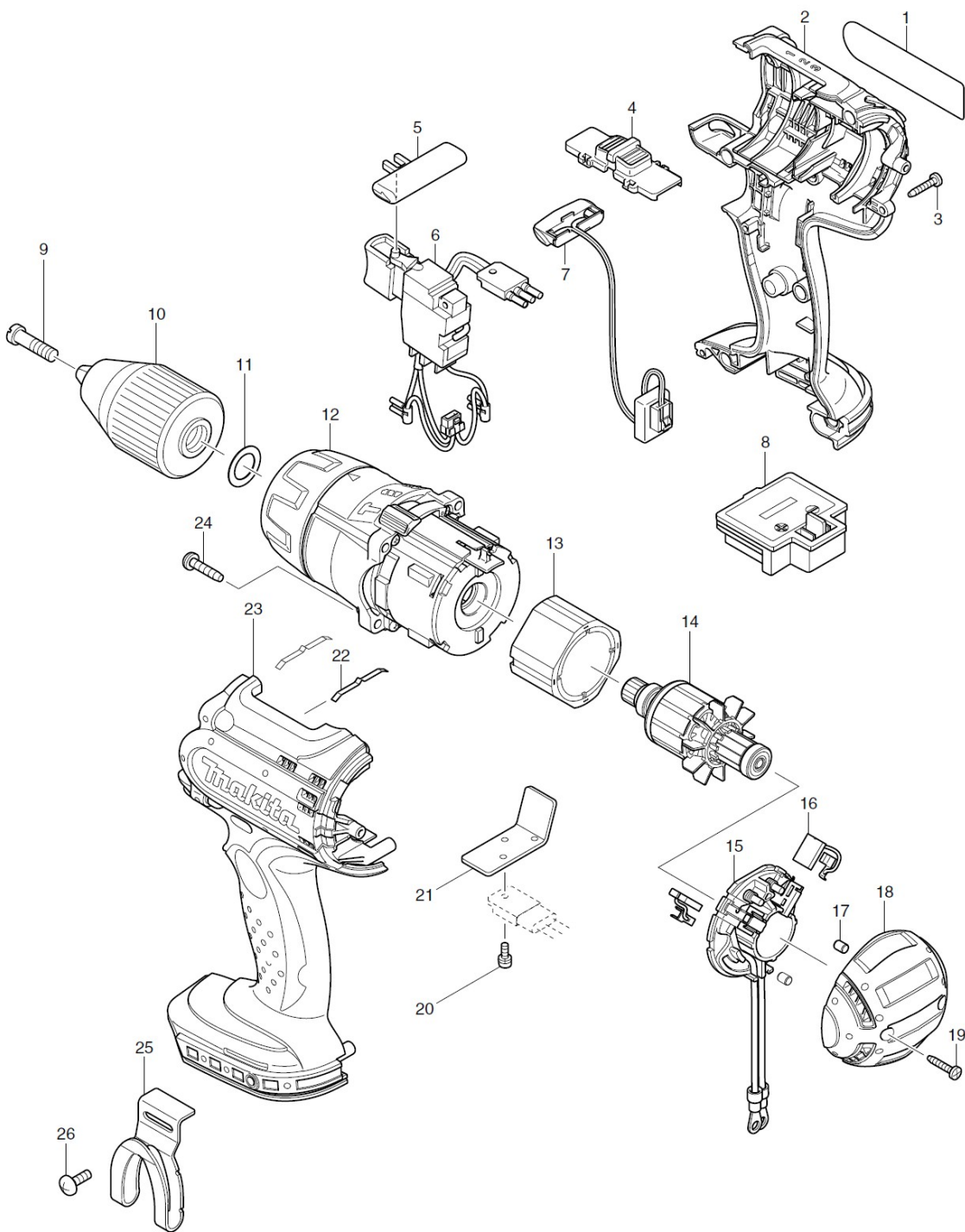


# Perceuse Visseuse à Percussion **BHP441RFE**



2005/06  
BHP441

# Perceuse Visseuse à Percussion **BHP441RFE**



Item	Parts_No.	Parts_Description	Qty
1	861793-2	NAME PLATE BHP441	1
2	188036-0	HOUSING SET	1
2		INC. 23	0
3	266130-9	TAPPING SCREW BIND PT 3X16	8
4	125316-3	SPEED CHANGE LEVER ASS'Y	1
4	233438-6	COMPRESSION SPRING 4	2
5	419250-0	F/R CHANGE LEVER	1
6	650573-9	SWITCH TG553FSB-4	1
7	631688-1	LIGHT CIRCUIT	1
8	643811-6	TERMINAL	1
9	251468-5	- FLAT HEAD SCREW M6X22	1
10	763196-5	KEYLESS DRILL CHUCK 13	1
11	253798-0	FLAT WASHER 13	1
12	125317-1	GEAR ASS'Y	1
12	418763-8	SPEED CHANGE RING	1
12	268088-8	PIN 1.2	2
13	638425-4	YOKE UNIT	1
14	619164-5	ARMATURE	1
15	638431-9	BRUSH HOLDER COMPLETE	1
15	231696-8	TORSION SPRING R	1
15	231697-6	TORSION SPRING L	1
16	194159-4	CARBON BRUSH CB-436	1
016-1	194427-5	CARBON BRUSH CB-440	1
17	263032-0	RUBBER PIN 4	2
18	419249-5	REAR COVER	1
018-1	419642-3	REAR COVER	1
19	266130-9	TAPPING SCREW BIND PT 3X16	2
20	911006-2	PAN HEAD SCREW M3X8	1
21	689145-3	HEATSINK	1
22	232220-0	LEAF SPRING	2
23	188036-0	HOUSING SET	1
23		INC. 2	0
24	266045-0	TAPPING SCREW 4X20	4
25	324553-8	HOOK	1
025-1	324705-1	HOOK	1
26	251314-2	+ SCREW M4X12	1
A01	122576-8	STOPPER POLE ASS'Y	1
A01	286226-0	CAP 20	1
A01	322223-3	DEPTH ROD	1
A02	122750-8	GRIP ASS'Y	1
A02	154835-2	GRIP36 COMPLETE	1
A02	251812-6	SCREW M5X10	1
A02	266349-0	SQUARE BOLT M8X50	1
A02	345463-6	GRIP SPRING 60	1
A02	418768-8	GRIP BASE	1
A02	931202-6	HEX. NUT M5	1
A03	251314-2	+ SCREW M4X12	1
A04	419276-2	BIT HOLDER	1
A05	***DC14SC	DC14SC CHARGER	1
A05	***DC18RA	DC18RA FAST CHARGER	1
A05-1	***DC18SC	DC18SC CHARGER	1
A06	194065-3	BATTERY BL1430 SET	2
A07	784637-8	+/- BIT 2-45	2
A08	824754-3	PLASTIC CASE	1

Perceuse Visseuse à Percussion **BHP441RFE**



A08	419216-0	HANDLE	1
A08	417724-5	LATCH	2
A08	419268-1	PLASTIC CASE LID	1
A08	419269-9	PLATE	5
A08	324667-3	SHAFT	1
A09	450128-8	BATTERY COVER	1