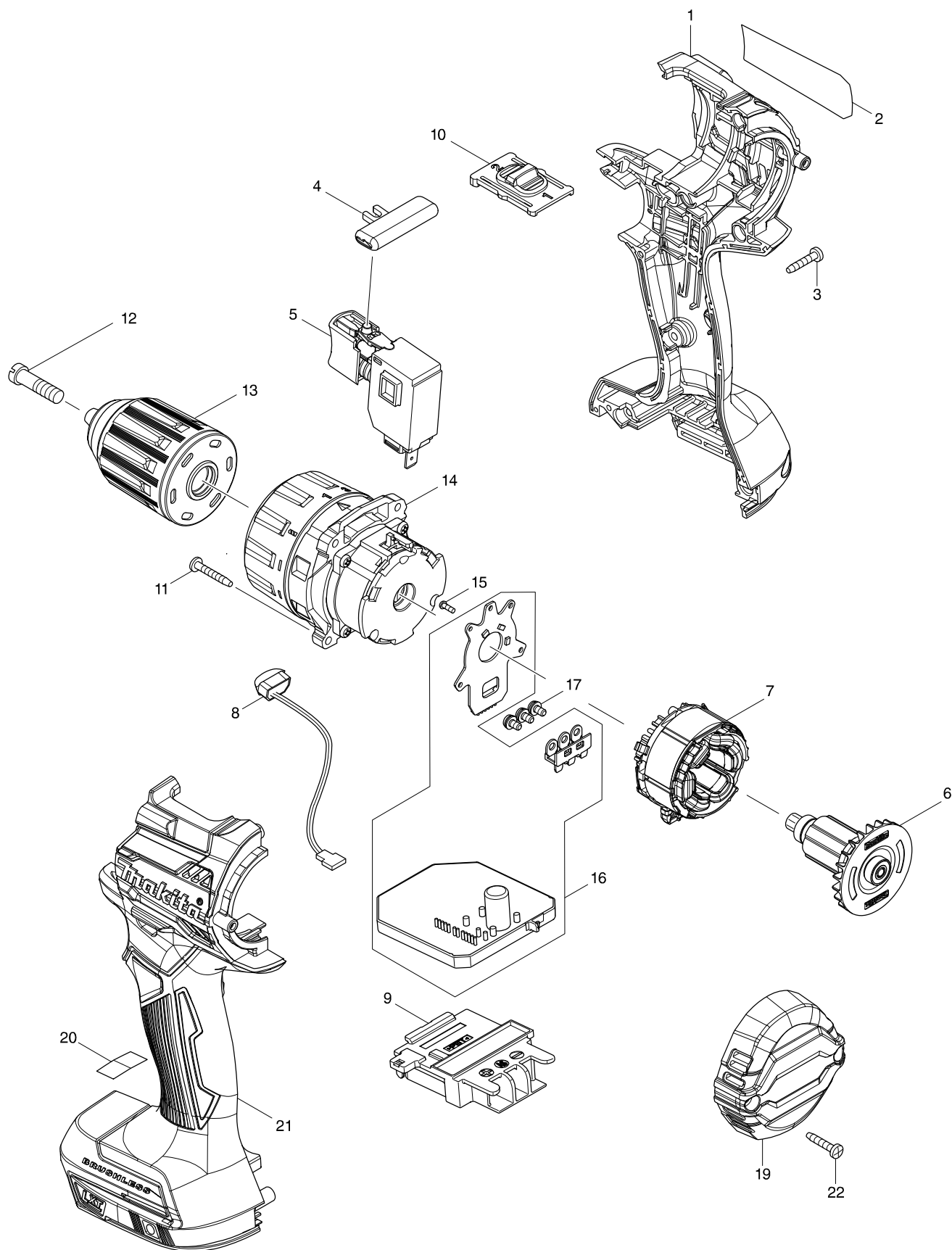


Numéro du modèle DDF484 CORDLESS DRIVER DRILL



Position	Référence pièce	Description	Echelle	QTE	N/O	Option 1	Option 2	COMMENTAIRE
001	183E71-3	HOUSING SET		1			P16	
C10	263005-3	CHEVILLE CAOUTCHOUC 6		2	65		P2	
C20	252126-6	***ECROU NYLSTOP HEX M4-7		2	65		P2	
D10		INC. 21						
002	852M14-1	DDF484 NAME PLATE		1				
003	266429-2	VIS 3x16		7	0		P1	
004	419041-9	LEVIER DE POSITION		1	0		P1	
005	650710-5	SWITCH C3JW-4B		1			P19	
006	619406-7	ROTOR		1			P62	
007	629225-3	STATOR		1			P15	
008	620549-0	LED CIRCUIT		1			P6	
009	643874-2	TERMINAL		1			P5	
010	123738-1	SPEED CHANGE LEVER ASSEMBLY		1			P3	
C10	233438-6	RESSORT DE COMPRESSION 4		2	0		P1	
011	251497-8	TAPPING SCREW 3X20		4			P1	
012	251468-5	VIS TETE PLATE (-) M6X22		1	0		P1	
013	766027-7	KEYLESS DRILL CHUCK 13		1			A22	
014	123737-3	GEAR ASSEMBLY		1			P30	
015	266490-9	TAPPING SCREW PT 2X6		3			P1	
016	620548-2	CONTROLLER		1			P34	
017	652069-6	FLAT HEAD SCREW M3X6		3			P1	
019	456967-4	REAR COVER		1			P67	
021	183E71-3	HOUSING SET		1			P16	
C10	263005-3	CHEVILLE CAOUTCHOUC 6		2	65		P2	
C20	252126-6	***ECROU NYLSTOP HEX M4-7		2	65		P2	
D10		INC. 1						
022	266429-2	VIS 3x16		2	0		P1	
A01	251314-2	VIS M4X12		1	0		P1	
A02	346317-0	CROCHET		1	0		A3	
A03	784637-8	EMBOUT DBL (+) 2-45 1P		1	1		A4	
A04B	821550-0	COFFRET MAKPAC2		1	8		A28	
C10	453974-8	LOQUET		4	0		P1	
A04C	821550-0	COFFRET MAKPAC2		1	8		A28	
C10	453974-8	LOQUET		4	0		P1	
A04D	821550-0	COFFRET MAKPAC2		1	8		A28	
C10	453974-8	LOQUET		4	0		P1	
A04E	821550-0	COFFRET MAKPAC2		1	8		A28	
C10	453974-8	LOQUET		4	0		P1	
A05B	450128-8	BATTERY COVER		1	0		P1	
A05C	450128-8	BATTERY COVER		1	0		P1	
A05D	450128-8	BATTERY COVER		2	0		P1	
A06B	***DC18RC	DC18RC FAST CHARGER		1			A42	
D10		COMPO-PARTS						
A06C	***DC18RC	DC18RC FAST CHARGER		1			A42	
D10		COMPO-PARTS						
A06D	***DC18RC	DC18RC FAST CHARGER		1			A42	
D10		COMPO-PARTS						
A07B	197265-4	BATTERY BL1840B SET		2			A43	

