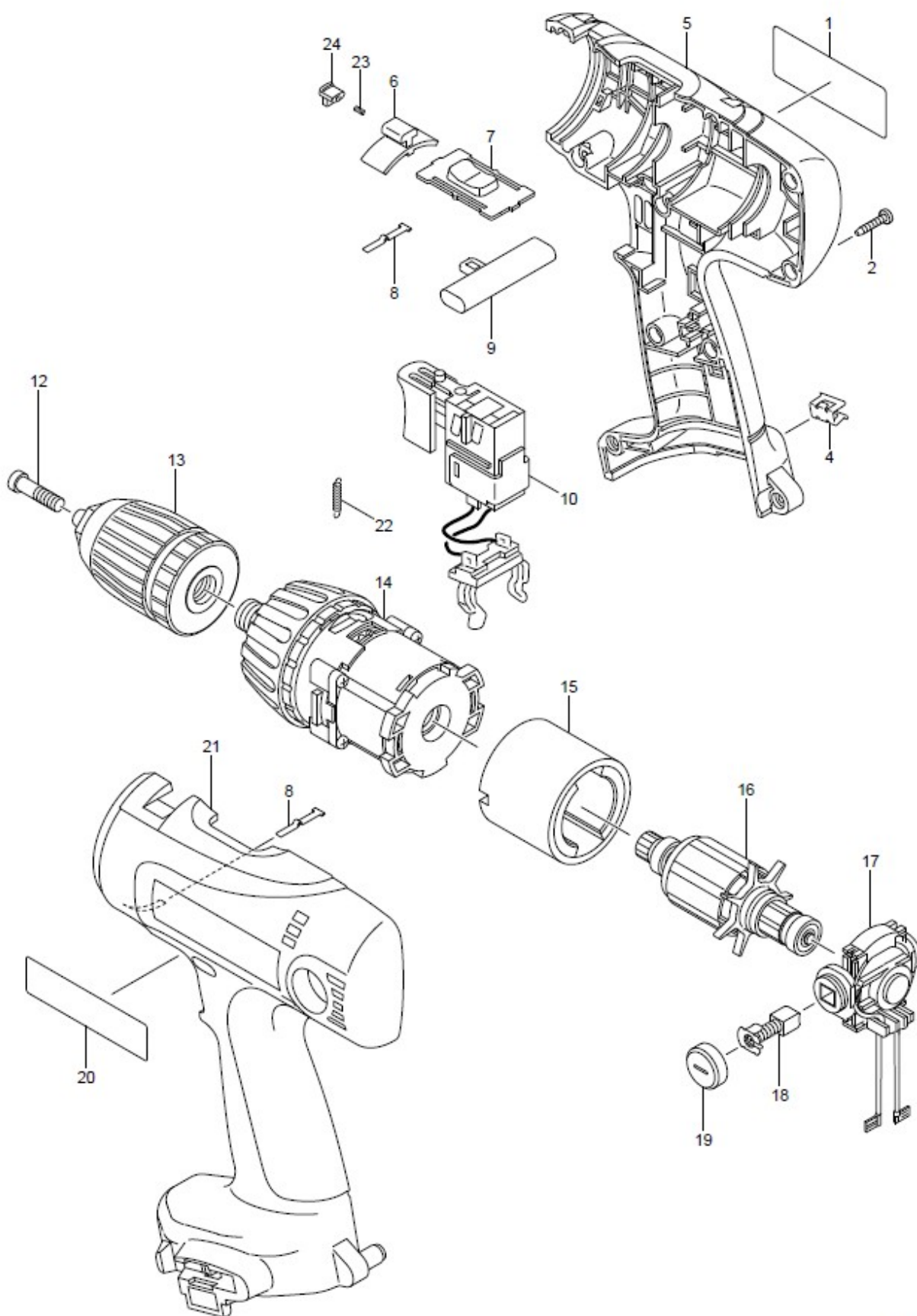


Perceuse Visseuse 6337D



Perceuse Visseuse 6337D



Item	Parts_No.	Parts_Description	Qty	Unit
001-2	853714-8	NAME PLATE 6337D	1	PC.
2	266130-9	TAPPING SCREW BIND PT 3X16	10	PC.
4	344391-2	BIT HOLDER	2	PC.
5	183452-1	HOUSING SET	1	SET
5		INC. 2021	0	
005-1	188784-1	HOUSING SET	1	
005-1		INC. 21	0	
6	417879-6	MODE CHANGE LEVER	1	PC.
7	125102-2	SPEED CHANGE LEVER ASS'Y	1	PC.
7	231433-0	COMPRESSION SPRING 4	2	PC.
007-1	125310-5	SPEED CHANGE LEVER ASS'Y	1	PC.
007-1	231433-0	COMPRESSION SPRING 4	2	PC.
8	232182-2	LEAF SPRING	1	PC.
9	417880-1	F/R CHANGE LEVER	1	PC.
009-1	417880-1	F/R CHANGE LEVER	1	PC.
10	638144-2	SWITCH UNIT	1	PC.
10	643918-8	BATTERY HOLDER	1	PC.
12	251464-3	- FLAT HEAD SCREW M6X22	1	PC.
013-1	193616-9	KEYLESS DRILL CHUCK 13 SET	1	PC.
013-2	766010-4	KEYLESS DRILL CHUCK 13	1	PC.
014-2	125238-7	GEAR ASS'Y	1	PC.
014-3	125574-1	GEAR ASS'Y	1	
15	638138-7	YOKE UNIT	1	PC.
016-1	619115-8	ARMATURE	1	PC.
17	638139-5	ENDBELL COMPLETE	1	PC.
18	191971-3	CARBON BRUSH CB-430	1	SET
19	643929-3	BRUSH HOLDER CAP	2	PC.
20	819064-1	MAKITA MARK	1	PC.
21	183452-1	HOUSING SET	1	SET
21		INC. 520	0	
021-1	188784-1	HOUSING SET	1	
021-1		INC. 5	0	
22	231829-5	TENSION SPRING 2	1	PC.
23	233353-4	COMPRESSION SPRING 2	1	PC.
024-1	418095-3	LOCK LEVER	1	PC.
A01	414938-7	BATTERY COVER	2	PC.
A02	784637-8	+ - BIT 2-45	1	PC.
A03-1	183763-4	PLASTIC CARRYING CASE	1	PC.
A03-1	324207-7	SHAFT	1	PC.
A03-1	417723-7	HANDLE	1	PC.
A03-1	417724-5	LATCH	2	PC.
A03-1	819144-3	MAKITA LOGO LABEL	1	PC.
A04-1	***DC1414	DC1414 BATTERY CHARGER	1	PC.
A05	192600-1	HIGH CAPACITY BATTERY 1422 SET	2	PC.
A09	819804-7	PLASTIC CASE LABEL	1	