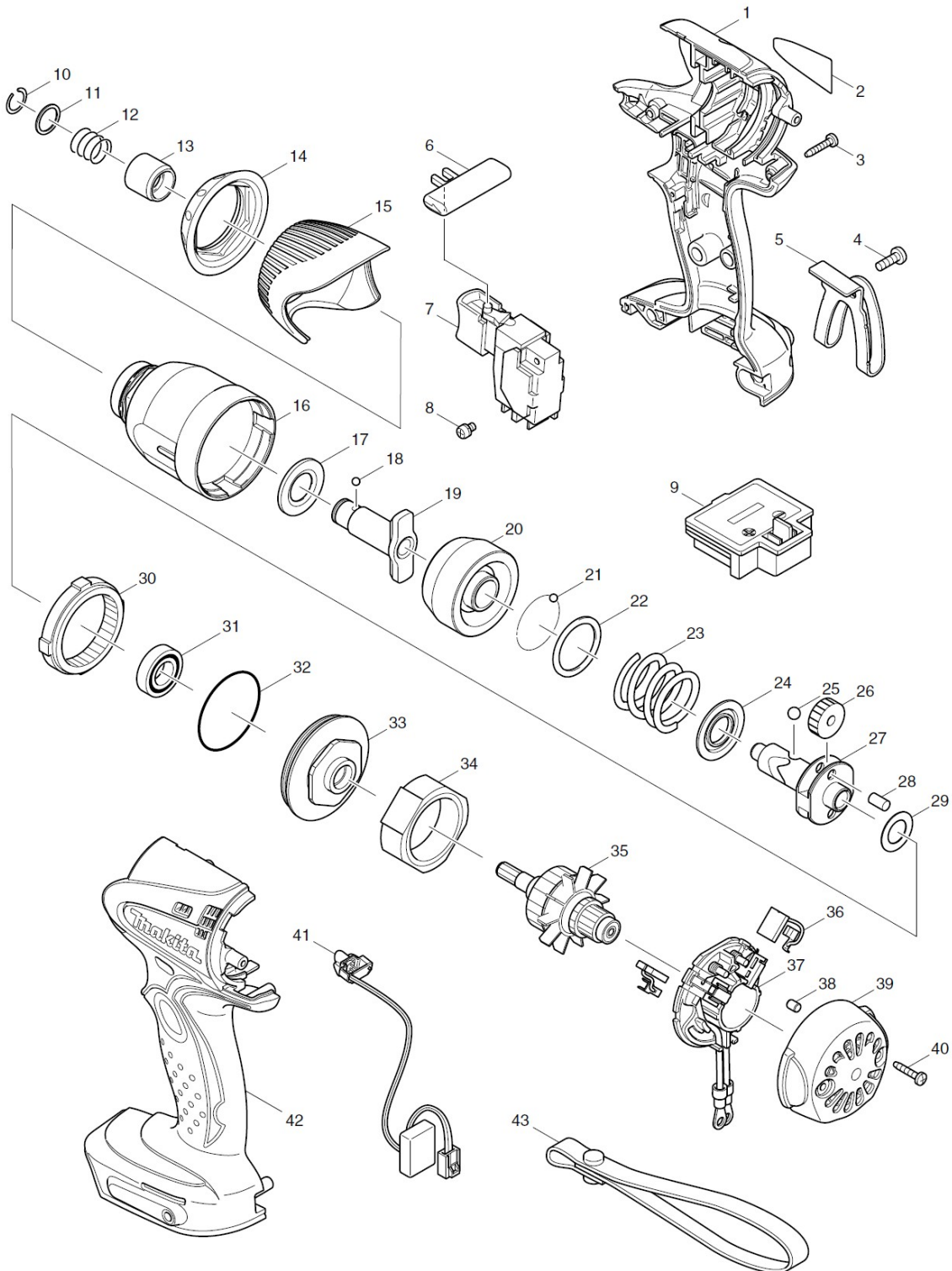


Visseuse à chocs **BTD130F**



2005/01
BTD130F

Visseuse à chocs **BTD130F**



Item	Parts_No.	Parts_Description	Qty
1	183966-0	HOUSING SET	1
1	183964-4	HOUSING SET	1
1		INC. 42	0
2	861532-0	BTD130F NAME PLATE	1
3	266130-9	TAPPING SCREW BIND PT 3X16	8
4	251314-2	+ SCREW M4X12	1
5	324553-8	HOOK	1
6	419041-9	F/R CHANGE LEVER	1
7	650564-0	SWITCH TG553FSB-1	1
8	652045-0	+PAN HEAD SCREW M3.5X5	2
9	643983-7	TERMINAL	1
10	231951-8	RING SPRING 11	1
11	267085-1	FLAT WASHER 12	1
12	233005-7	COMPRESSION SPRING 13	1
13	324420-7	SLEEVE	1
14	421913-6	BUMPER	1
15	419042-7	HAMMER CASE COVER	1
16	154590-6	HAMMER CASE COMPLETE	1
17	261108-7	NYLON WASHER 14	1
18	216001-0	STEEL BALL 3.5	2
19	324432-0	ANVIL M	1
20	324583-9	HAMMER	1
21	216001-0	STEEL BALL 3.5	24
22	267175-0	FLAT WASHER 24	1
23	233430-2	COMPRESSION SPRING 24	1
24	267766-7	CUP WASHER 14	1
25	216011-7	STEEL BALL 5.6	2
26	226336-1	SPUR GEAR 22	2
27	324552-0	SPINDLE	1
28	256253-1	PIN 5	2
29	267212-0	FLAT WASHER 12	1
30	227150-8	INTERNAL GEAR 51	1
31	211140-1	BALL BEARING 6901LLB	1
32	213507-9	O RING 40	1
33	317926-2	BEARING BOX	1
34	638396-5	YORK UNIT	1
35	619152-2	ARMATURE	1
36	194159-4	CARBON BRUSH CB-436	1
37	638387-6	BRUSH HOLDER COMPLETE	1
37	231696-8	TORSION SPRING R	1
37	231697-6	TORSION SPRING L	1
38	263032-0	RUBBER PIN 4	2
39	418981-8	REAR COVER	1
39	418983-4	REAR COVER	1
40	266130-9	TAPPING SCREW BIND PT 3X16	2
41	631631-0	LIGHT CIRCUIT	1
42	183966-0	HOUSING SET	1
42	183964-4	HOUSING SET	1
42		INC. 1	0
A01	***DC14SC	DC14SC CHARGER	1
A01-1	***DC18SC	DC18SC CHARGER	1
A01A	***DC18RA	DC18RA FAST CHARGER	1
A02	194065-3	BATTERY BL1430 SET	2
A03	824710-3	PLASTIC CARRYING CASE	1

Visseuse à chocs **BTD130F**



A03	417724-5	LATCH	2
A03	418406-2	PLASTIC CASE LID	1
A03	324207-7	SHAFT	1
A04	194280-9	STOPPER SET (W/O BITS)	1
A05	784211-2	PHILLIPS INSERT BIT 2-25	1
A05-1	784261-7	+BIT 2-25	1
A06	784807-9	MAGNETIC CONNECT BIT 6.35-60	1
A06-1	784811-8	MAGNETIC CONNECT BIT 6.35-60	1
A07	450128-8	BATTERY COVER	1