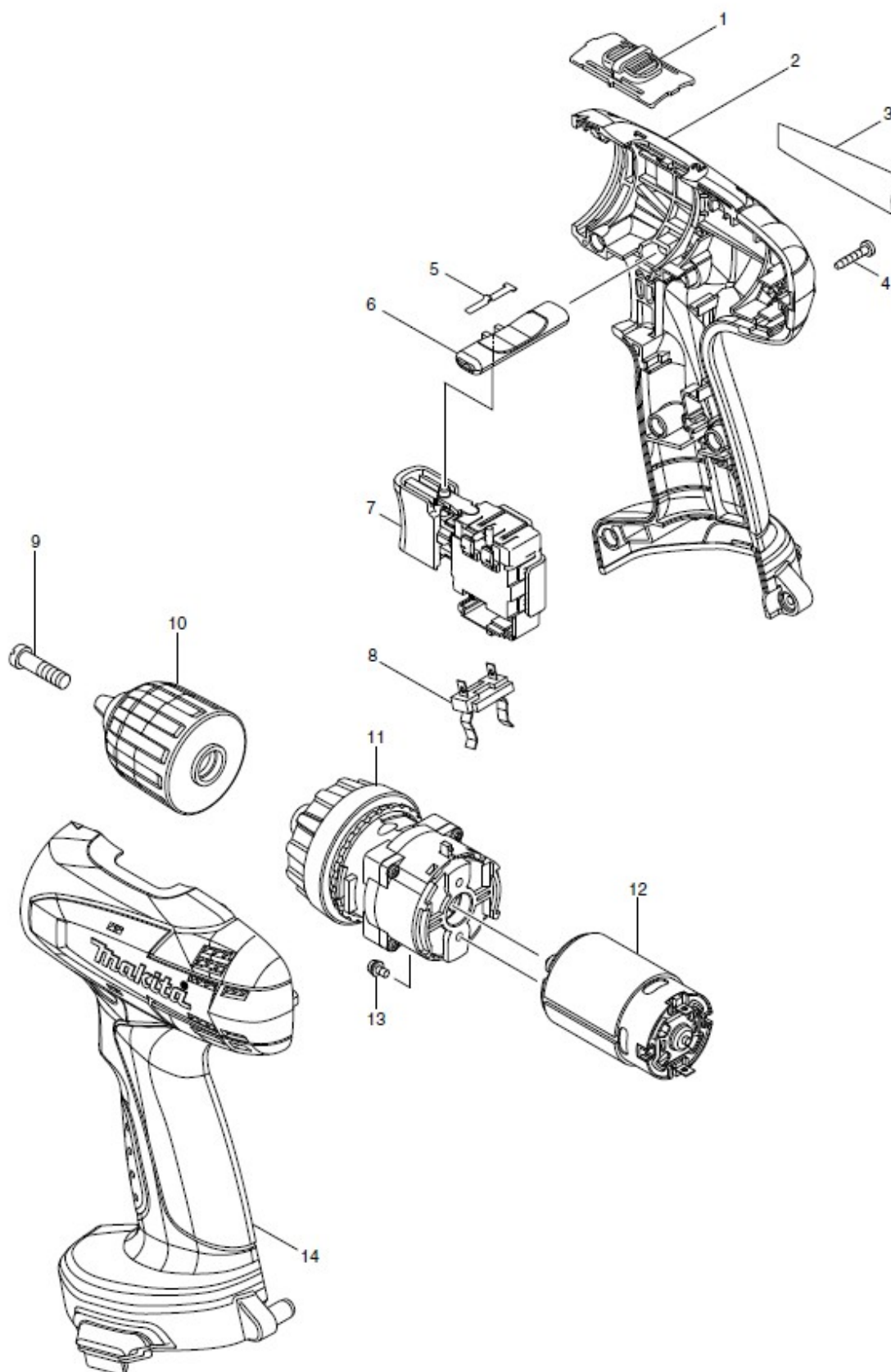


Perceuse Visseuse 6281D



Perceuse Visseuse 6281D



| Item | Parts_No. | Parts_Description | Qty | Unit |
|------|-----------|--------------------------------|-----|------|
| 1 | 125310-5 | SPEED CHANGE LEVER ASS'Y | 1 | PC. |
| 1 | 231433-0 | COMPRESSION SPRING 4 | 2 | PC. |
| 2 | 188512-4 | HOUSING SET | 1 | SET |
| 2 | | INC. 14 | 0 | |
| 3 | 865168-7 | 6281D NAME PLATE | 1 | PC. |
| 4 | 266130-9 | TAPPING SCREW BIND PT 3X16 | 9 | PC. |
| 5 | 232182-2 | LEAF SPRING | 1 | PC. |
| 6 | 450584-2 | F/R CHANGE LEVER | 1 | PC. |
| 7 | 650601-0 | SWITCH TG563FSB-2 | 1 | PC. |
| 8 | 643909-9 | BATTERY HOLDER | 1 | PC. |
| 9 | 251468-5 | - FLAT HEAD SCREW M6X22 | 1 | PC. |
| 10 | 766002-3 | KEYLESS DRILL CHUCK 10 | 1 | PC. |
| 11 | 125482-6 | GEAR ASS'Y | 1 | PC. |
| 12 | 629819-4 | DC MOTOR | 1 | PC. |
| 13 | 911003-8 | PAN HEAD SCREW M3X6 | 2 | PC. |
| 14 | 188512-4 | HOUSING SET | 1 | SET |
| 14 | | INC. 2 | 0 | |
| A01 | ***DC1414 | DC1414 BATTERY CHARGER | 1 | PC. |
| A02 | 192600-1 | HIGH CAPACITY BATTERY 1422 SET | 2 | PC. |
| A02 | 193062-6 | BATTERY 1420 SET | 2 | PC. |
| A02B | 193985-8 | BATTERY PA14 SET | 2 | PC. |
| A03 | 414938-7 | BATTERY COVER | 2 | PC. |
| A04 | 784636-0 | + - BIT 2-65 | 1 | PC. |
| A05 | 824852-3 | PLASTIC CARRYING CASE | 1 | PC. |
| A05B | 824853-1 | PLASTIC CARRYING CASE | 1 | PC. |
| A06 | 345261-8 | HOOK PLATE | 2 | PC. |
| A07 | 417926-3 | STRAP G0970200500 | 1 | PC. |
| A08 | 192752-8 | ML140 RECHARGEABLE FLASHLIGHT | 1 | PC. |
| A08 | | INC. A06A07 | 0 | |