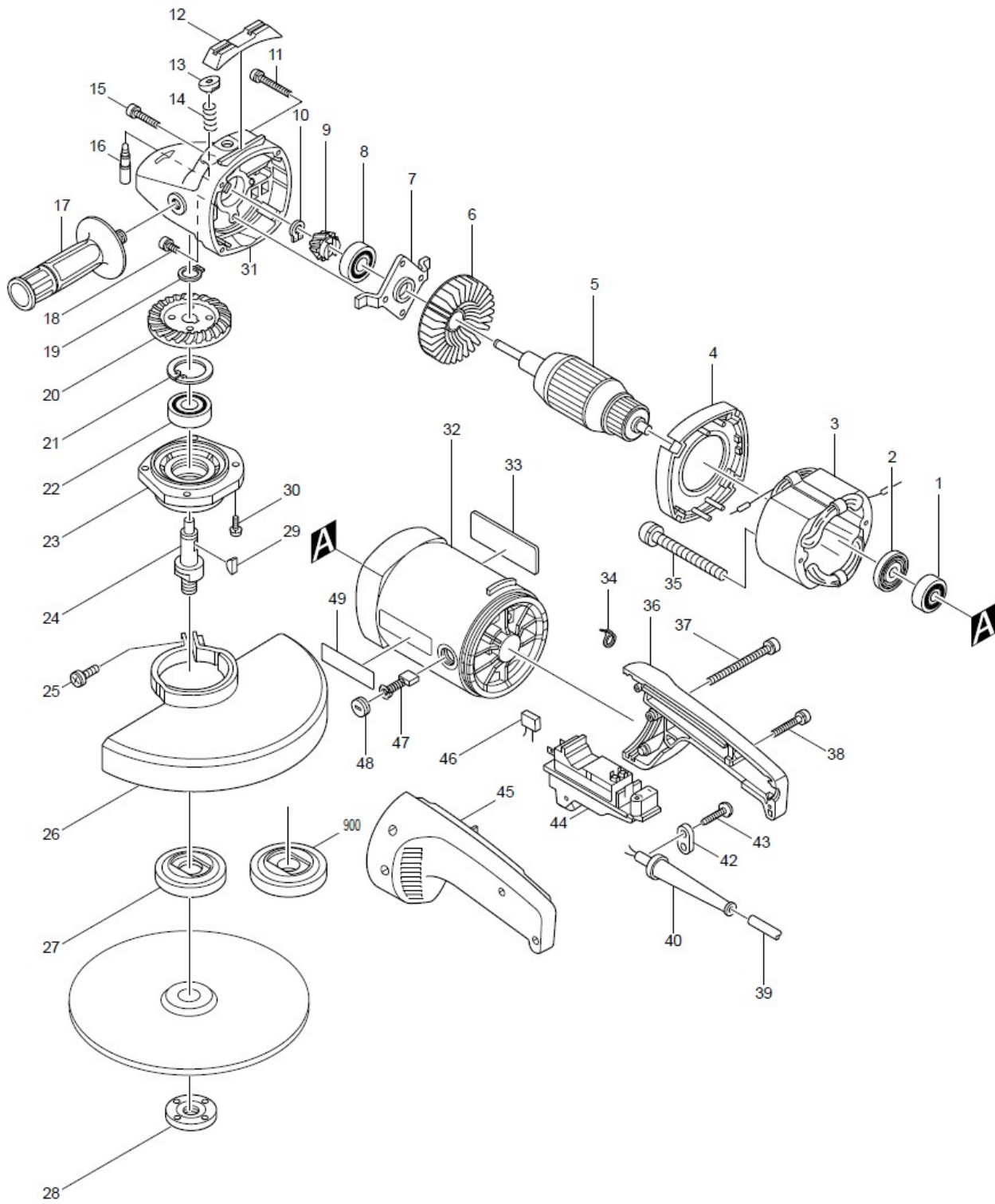


Meuleuse 9029S



Meuleuse 9029S



Item	Parts_No.	Parts_Description	Qty	Unit
1	211087-9	BALL BEARING 6200DDW	1	PC.
2	681630-2	INSULATION WASHER	1	PC.
003C1	636003-4	FIELD 220V	1	PC.
003C2	526013-8	FIELD ASS'Y 220V	1	PC.
003C2	654098-5	RECEPTACLE	2	PC.
4	414989-0	BAFFLE PLATE	1	PC.
004-1	415647-1	BAFFLE PLATE	1	PC.
005C3	516593-2	ARMATURE ASS'Y 220V	1	PC.
005C4	516658-0	ARMATURE ASS'Y 220V	1	PC.
005C5	516593-2	ARMATURE ASS'Y 220V	1	PC.
005C5		INC. 126	0	
6	241859-8	FAN 80	1	PC.
7	285672-4	BEARING RETAINER 57	1	PC.
8	211132-0	BALL BEARING 6301DDW	1	PC.
9	221398-4	SPIRAL BEVEL GEAR 12	1	PC.
10	961005-4	RETAINING RING S-9	1	PC.
11	911263-2	PAN HEAD SCREW M5X40	4	PC.
12	421421-7	TOOL REST	1	PC.
13	414990-5	PIN CAP	1	PC.
14	233031-6	COMPRESSION SPRING 12	1	PC.
15	265977-8	HEX.SOCKET HEAD BOLT M5X20	1	PC.
015-1	266464-0	HEX. SOCKET HEAD BOLT M5X20	1	PC.
16	256431-3	PIN 6	1	PC.
017-1	152492-0	GRIP 36 COMPLETE	1	PC.
18	265976-0	HEX.SOCKET HEAD BOLT M5X10	1	PC.
19	961057-5	RETAINING RING S-17	1	PC.
20	221378-0	SPIRAL BEVEL GEAR 50	1	PC.
21	962157-4	RETAINING RING R-40	1	PC.
22	211278-2	BALL BEARING 6203DDW	1	PC.
23	316399-6	BEARING BOX	1	PC.
024A	322512-6	SPINDLE	1	PC.
25	251383-3	PAN HEAD SCREW M8X30	1	PC.
26	165000-8	WHEEL COVER	1	PC.
27	122444-5	INNER FLANGE 47 ASS'Y	1	PC.
027A1	224298-7	INNER FLANGE 42	1	PC.
027A2	224415-9	INNER FLANGE 42	1	PC.
028A	224543-0	LOCK NUT 14-45	1	PC.
028A1	192567-3	LOCK NUT DIN	1	PC.
29	254001-2	WOODRUFF KEY 4	1	PC.
30	911223-4	PAN HEAD SCREW M5X16	4	PC.
31	159469-6	GEAR HOUSING	1	PC.
31	212063-6	NEEDLE BEARING 1012	1	PC.
032-2	125029-6	MOTOR HOUSING ASS'Y	1	PC.
032-2	643705-5	BRUSH HOLDER	2	PC.
032-2	632282-2	SUPPORT UNIT	1	PC.
032-2		INC. 3449	0	
032-3	125036-9	MOTOR HOUSING ASS'Y	1	PC.
032-3	643705-5	BRUSH HOLDER	2	PC.
032-3	632282-2	SUPPORT UNIT	1	PC.
032-3		INC. 3449	0	
032-4	125036-9	MOTOR HOUSING ASS'Y	1	PC.
032-4	643705-5	BRUSH HOLDER	2	PC.
032-4	632282-2	SUPPORT UNIT	1	PC.
032-4		INC. 3449	0	
032-5	182815-8	MOTOR HOUSING	1	PC.
032-5	643705-5	BRUSH HOLDER	2	PC.

Meuleuse 9029S



Item	Parts_No.	Parts_Description	Qty	Unit
032-5	643707-1	BRUSH HOLDER	2	PC.
032-5		INC. 49	0	
33	857018-0	NAME PLATE 9029S	1	PC.
34	687010-0	BAND	1	PC.
035-1	911691-1	PAN HEAD SCREW M5X70	2	PC.
036-1	182563-9	HANDLE SET	1	SET
036-1		INC. 45	0	
036-2	182607-5	HANDLE SET	1	SET
036-2		INC. 45	0	
036-3	182824-7	HANDLE SET	1	SET
036-3		INC. 45	0	
037-1	265016-4	PAN HEAD SCREW M6X85	1	PC.
38	911148-2	PAN HEAD SCREW M4X25	4	PC.
038-1	265999-8	TAPPING SCREW 4X25	4	PC.
039O	666066-6	POWER SUPPLY CORD 1.0-2-2.5	1	PC.
040A	682503-2	CORD GUARD 8-90	1	PC.
042C	687063-9	CORD CLAMP	1	PC.
043A	266121-0	TAPPING SCREW FLANGE PF 4X18	2	PC.
043A1	265995-6	TAPPING SCREW 4X18	2	PC.
44	651147-9	SWITCH 1362.0102	1	PC.
044-1	651178-8	SWITCH 1362.0112	1	PC.
045-1	182563-9	HANDLE SET	1	SET
045-1		INC. 36	0	
045-2	182607-5	HANDLE SET	1	SET
045-2		INC. 36	0	
045-3	182824-7	HANDLE SET	1	SET
045-3		INC. 36	0	
46	645214-0	NOISE SUPPRESSOR	1	PC.
046-1	645088-9	NOISE SUPPRESSOR	1	PC.
047-1	191957-7	A.C. CARBON BRUSH CB-204	1	SET
48	643700-5	BRUSH HOLDER CAP 7-18	2	PC.
049-1	819095-0	MAKITA MARK	1	PC.
50	818044-4	LABEL	1	PC.
51	539100-4	RESISTOR ASS'Y 200/220/240V	1	PC.
52	818160-2	INDICATION LABEL	1	PC.
A01A	782407-9	LOCK NUT WRENCH 35	1	PC.
A02	818161-0	INDICATION LABEL	1	PC.
B06	182942-1	SPIRAL BEVEL GEAR SET	1	PC.
B06		INC. 920	0	
E08	536011-4	LEAD ASS'Y (BITTER ORANGE)	1	PC.
E09	536012-2	LEAD ASS'Y (PURPLE)	1	PC.
E10	654552-9	INSULATED CONNECTOR	2	PC.