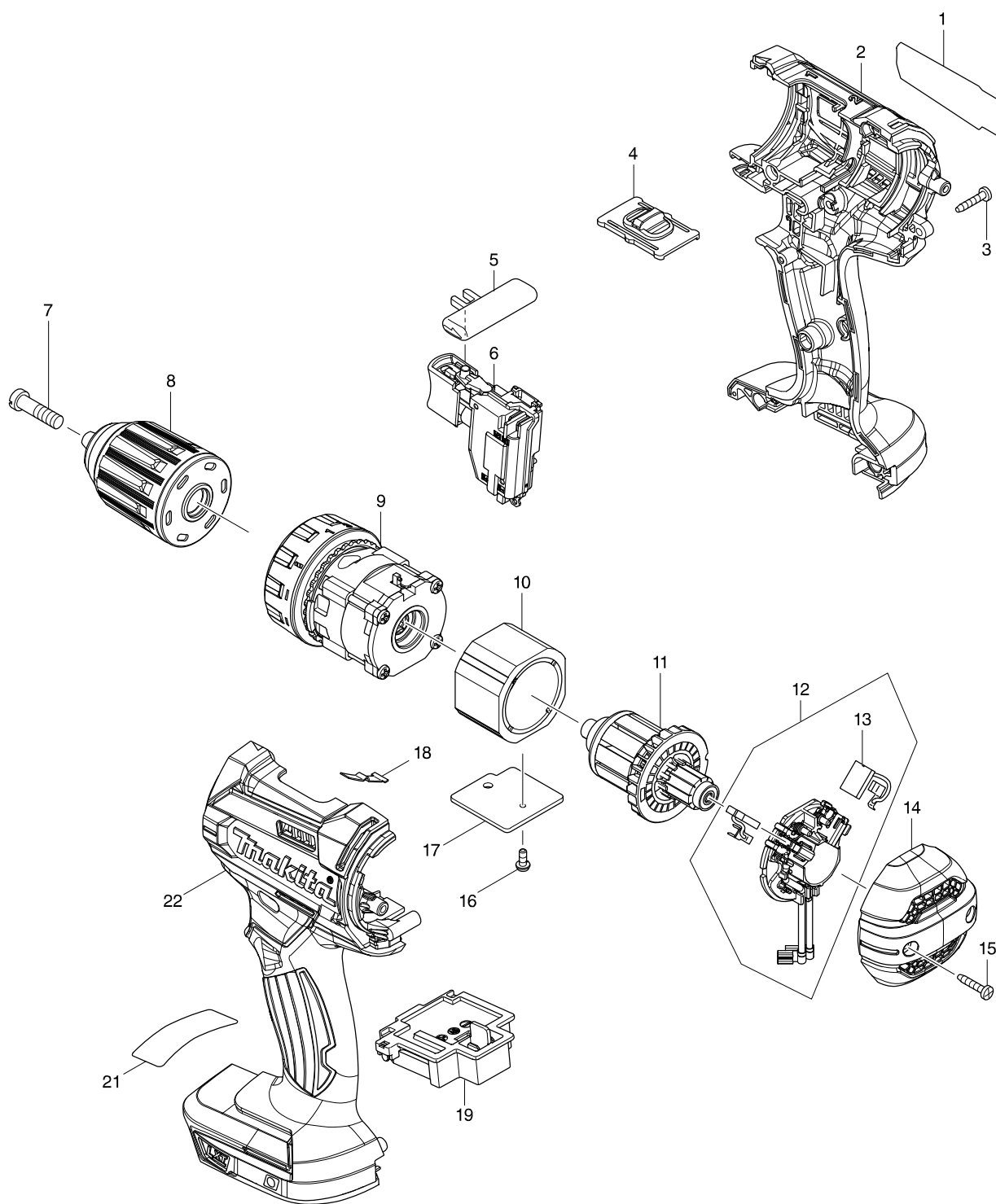


# Numéro du modèle DDF482 CORDLESS DRIVER DRILL



Position	Référence pièce	Description	Echelle	QTE	N/O	Option 1	Option 2	COMMENTAIRE
001	851E35-2	DDF482 NAME PLATE		1				
002	183B65-0	HOUSING SET		1			P17	
C10	263005-3	CHEVILLE CAOUTCHOUC 6		2		65	P2	
D10		INC. 22						
003	266429-2	VIS 3x16		9		0	P1	
004	123442-2	SPEED CHANGE LEVER ASSEMBLY		1			P1	
C10	233438-6	RESSORT DE COMPRESSION 4		2		0	P1	
005	419041-9	LEVIER DE POSITION		1		0	P1	
006	632F27-4	SWITCH UNIT		1			P28	
C10	620444-4	LED CIRCUIT		1				
C20	688172-7	PASSE-FIL		1		0	P1	
007	251468-5	VIS TETE PLATE (-) M6X22		1		0	P1	
008	766027-7	KEYLESS DRILL CHUCK 13		1			A22	
009	123444-8	GEAR ASSEMBLY		1			P22	
010B	632F32-1	YOKE UNIT		1	*		P15	
010C	632F32-1	YOKE UNIT		1	*		P15	
010D	632F32-1	YOKE UNIT		1	*		P15	
010E	632F32-1	YOKE UNIT		1	*		P15	
010F	632F32-1	YOKE UNIT		1	*		P15	
010-1B	632J70-7	YOKE UNIT	<	1			P17	
010-1C	632J70-7	YOKE UNIT	<	1			P17	
010-1D	632J70-7	YOKE UNIT	<	1			P17	
010-1E	632J70-7	YOKE UNIT	<	1			P17	
010-1F	632J70-7	YOKE UNIT	<	1			P17	
010-1H	632J70-7	YOKE UNIT		1			P17	
010-1I	632J70-7	YOKE UNIT		1			P17	
011	619380-9	ARMATURE		1			P21	
012	632F21-6	BRUSH HOLDER COMPLETE		1			P19	
C10	688172-7	PASSE-FIL		1		0	P1	
D10		INC. 13						
013	194427-5	JEU DE CHARBONS CB-440		1		2	P9	
014	456099-7	REAR COVER		1			P3	
015	266429-2	VIS 3x16		2		0	P1	
016B	911006-2	VIS M3X8		1	*	0	P1	
016C	911006-2	VIS M3X8		1	*	0	P1	
016D	911006-2	VIS M3X8		1	*	0	P1	
016E	911006-2	VIS M3X8		1	*	0	P1	
016F	911006-2	VIS M3X8		1	*	0	P1	
016-1B	652066-2	+PAN HEAD SCREW M3X9 WITH W	<	1				
016-1C	652066-2	+PAN HEAD SCREW M3X9 WITH W	<	1				
016-1D	652066-2	+PAN HEAD SCREW M3X9 WITH W	<	1				
016-1E	652066-2	+PAN HEAD SCREW M3X9 WITH W	<	1				
016-1F	652066-2	+PAN HEAD SCREW M3X9 WITH W	<	1				
016-1H	652066-2	+PAN HEAD SCREW M3X9 WITH W		1				
016-1I	652066-2	+PAN HEAD SCREW M3X9 WITH W		1				
017	689070-8	PLAQUE		1		0	P3	
018	232182-2	RESSORT PLAT		1		65	P2	
019	644808-8	SUPPORT		1		1	P5	

Position	Référence pièce	Description	Echelle	QTE	N/O	Option 1	Option 2	COMMENTAIRE
022	183B65-0	HOUSING SET		1			P17	
C10	263005-3	CHEVILLE CAOUTCHOUC 6		2		65	P2	
D10		INC. 2						
A01	251314-2	VIS M4X12		1		0	P1	
A02	346317-0	CROCHET		1		0	A3	
A03	784637-8	EMBOU DBL (+) 2-45 1P		1		1	A4	
A04C	821550-0	COFFRET MAKPAC2		1		8	A28	
C10	453974-8	LOQUET		4		0	P1	
A04D	821550-0	COFFRET MAKPAC2		1		8	A28	
C10	453974-8	LOQUET		4		0	P1	
A04E	821550-0	COFFRET MAKPAC2		1		8	A28	
C10	453974-8	LOQUET		4		0	P1	
A04F	821550-0	COFFRET MAKPAC2		1		8	A28	
C10	453974-8	LOQUET		4		0	P1	
A04H	141856-3	COFFRET PLASTIQUE CPL		1		2	A24	
C10	162302-3	CLIP COFFRET		2		0	A1	
C20	324207-7	AXE BTD140		1		0	A3	
C30	451749-9	POIGNEE COFFRET		1		6	A2	
A04I	141856-3	COFFRET PLASTIQUE CPL		1		2	A24	
C10	162302-3	CLIP COFFRET		2		0	A1	
C20	324207-7	AXE BTD140		1		0	A3	
C30	451749-9	POIGNEE COFFRET		1		6	A2	
A05C	450128-8	BATTERY COVER		1		0	P1	
A05D	450128-8	BATTERY COVER		2		0	P1	
A05E	450128-8	BATTERY COVER		1		0	P1	
A05F	450128-8	BATTERY COVER		2		0	P1	
A05H	450128-8	BATTERY COVER		1		0	P1	
A05I	450128-8	BATTERY COVER		2		0	P1	
A06C	***DC18RC	DC18RC FAST CHARGER		1			A42	
A06D	***DC18RC	DC18RC FAST CHARGER		1			A42	
A06E	***DC18RC	DC18RC FAST CHARGER		1			A42	
A06F	***DC18RC	DC18RC FAST CHARGER		1			A42	
A06H	***DC18RC	DC18RC FAST CHARGER		1			A42	
A06I	***DC18RC	DC18RC FAST CHARGER		1			A42	
A07C	197265-4	BATTERY BL1840B SET		2			A43	
A07D	197265-4	BATTERY BL1840B SET		3			A43	
A07E	197280-8	BATTERY BL1850B SET		2			A45	
A07F	197280-8	BATTERY BL1850B SET		3			A45	
A07H	197600-6	BATTERY BL1830B SET		2				
A07-2I	197600-6	BATTERY BL1830B SET		3				
A08C	837916-4	MOULAGE MAKPAC BDF343		1		3	A13	
A08D	837916-4	MOULAGE MAKPAC BDF343		1		3	A13	
A08E	837916-4	MOULAGE MAKPAC BDF343		1		3	A13	
A08F	837916-4	MOULAGE MAKPAC BDF343		1		3	A13	
A08H	807S68-9	DDF482RFE PLASTIC CASE LABEL		2	*			
A08I	808Y46-8	DDF482RFE3 PLASTIC CASE LABEL		2	*			
A08-1H	816F03-8	DDF482RFE PLASTIC CASE LABEL	X	2				
A08-1I	816F05-4	DDF482RFE3 PLASTIC CASE LABEL	X	2				

Position	Référence pièce	Description	Echelle	QTE	N/O	Option 1	Option 2	COMMENTAIRE
A09C	808J25-6	DDF482RMJ INDICATION LABEL		1	*			
A09D	808J33-7	DDF482RM3J INDICATION LABEL		1	*			
A09E	808V92-3	DDF482RTJ INDICATION LABEL		1	*			
A09F	809J17-8	DDF482RT3J INDICATION LABEL		1	*			
A09-1C	816F10-1	DDF482RMJ INDICATION LABEL	O	1				
A09-1D	816F25-8	DDF482RM3J INDICATION LABEL	O	1				
A09-1E	816F18-5	DDF482RTJ INDICATION LABEL	O	1				
A09-1F	816F27-4	DDF482RT3J INDICATION LABEL	O	1				
A10C	808J26-4	DDF482RMJ PLASTIC CASE LABEL		2	*			
A10D	808J34-5	DDF482RM3J PLASTIC CASE LABEL		2	*			
A10E	808V94-9	DDF482RTJ PLASTIC CASE LABEL		2	*			
A10F	809J18-6	DDF482RT3J PLASTIC CASE LABEL		2	*			
A10-1C	816F11-9	DDF482RMJ PLASTIC CASE LABEL	X	2				
A10-1D	816F26-6	DDF482RM3J PLASTIC CASE LABEL	X	2				
A10-1E	816F19-3	DDF482RTJ PLASTIC CASE LABEL	X	2				
A10-1F	816F28-2	DDF482RT3J PLASTIC CASE LABEL	X	2				