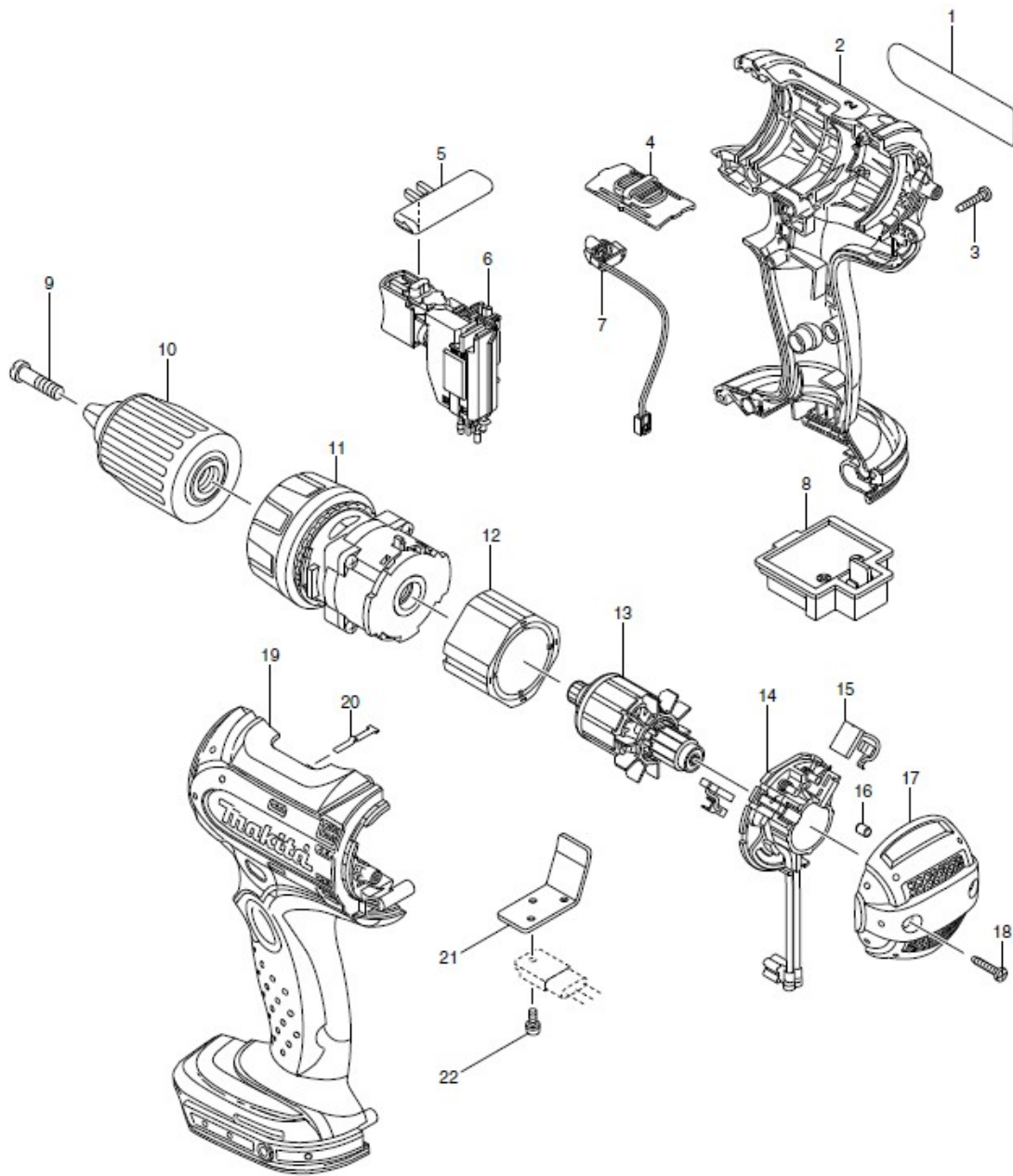


Perceuse Visseuse BDF442



Perceuse Visseuse BDF442



Item	Parts_No.	Parts_Description	Qty	Unit
1	863187-7	BDF442 NAME PLATE	1	PC.
2	188217-6	HOUSING SET	1	SET
2	188280-9	HOUSING SET	1	SET
2		INC. 19	0	
3	266130-9	TAPPING SCREW BIND PT 3X16	9	PC.
4	125366-8	SPEED CHANGE LEVER ASS'Y	1	PC.
4	233438-6	COMPRESSION SPRING 4	2	PC.
5	419250-0	F/R CHANGE LEVER	1	PC.
6	650583-6	SWITCH C3HZ-1A-TLM	1	PC.
7	631735-8	LED CIRCUIT	1	PC.
8	643811-6	TERMINAL	1	PC.
008-1	643847-5	TERMINAL	1	
9	251468-5	- FLAT HEAD SCREW M6X22	1	PC.
10	763175-3	KEYLESS DRILL CHUCK 13	1	PC.
11	125348-0	GEAR ASS'Y	1	PC.
12	638425-4	YOKE UNIT	1	PC.
13	619196-2	ARMATURE	1	PC.
14	638494-5	BRUSH HOLDER COMPLETE	1	PC.
15	194159-4	CARBON BRUSH CB-436	1	SET
015-1	194427-5	CARBON BRUSH CB-440	1	SET
16	263032-0	RUBBER PIN 4	2	PC.
17	419693-6	REAR COVER	1	PC.
17	419601-7	REAR COVER	1	PC.
18	266130-9	TAPPING SCREW BIND PT 3X16	2	PC.
19	188217-6	HOUSING SET	1	SET
19		INC. 2	0	
019A	188280-9	HOUSING SET	1	SET
20	232182-2	LEAF SPRING	1	PC.
21	689150-0	HEAT SINK	1	PC.
22	911006-2	PAN HEAD SCREW M3X8	1	PC.
A01	***DC18RA	DC18RA FAST CHARGER	1	PC.
A02	784637-8	+ - BIT 2-45	1	PC.
A03	824774-7	PLASTIC CARRYING CASE	1	PC.
A03	324679-6	SHAFT	1	PC.
A03	417724-5	LATCH	2	PC.
A03	419216-0	HANDLE	1	PC.
A04	194065-3	BATTERY BL1430 SET	2	PC.
A05	805067-1	BDF442RFE PLASTIC CASE LABEL	1	PC.
A05	805179-0	BDF442RFEW PLASTIC CASE LABEL	1	PC.
A05-1	806015-3	BDF442RFE PLASTIC CASE LABEL	1	PC.
A06	450128-8	BATTERY COVER	1	PC.
E01	324705-1	HOOK	1	PC.
E02	251314-2	+ SCREW M4X12	1	PC.