

FACILITÉ ●●●●○

TEMPS ⌚⌚⌚⌚⌚

x1 x2
 x2 x2
 x1 x2
 x1

A 40mm x5 **B** 30mm x10 **C** 25mm x2 x1

NON FOURNI
NO INCLUIDO
NON INCLUSI

1 Positioning the profile on the wall.

2 Attaching the brackets to the profile.

3 Mounting the cabinet doors.

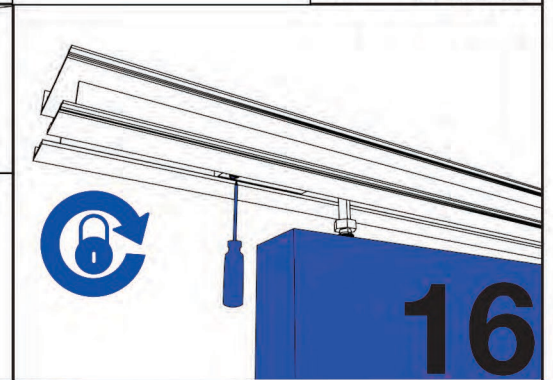
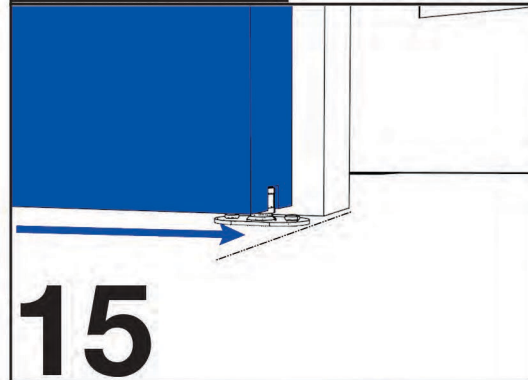
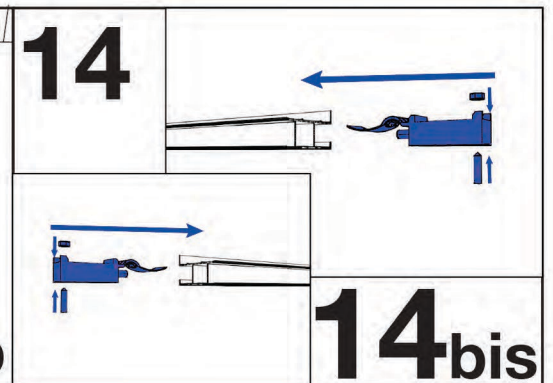
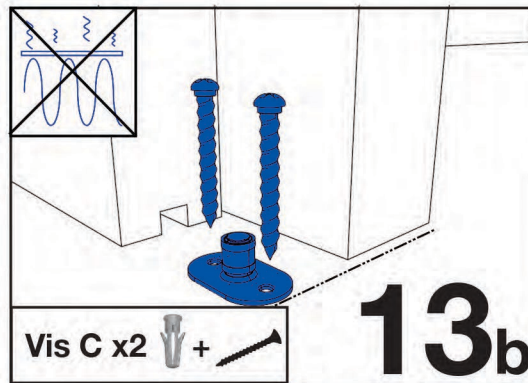
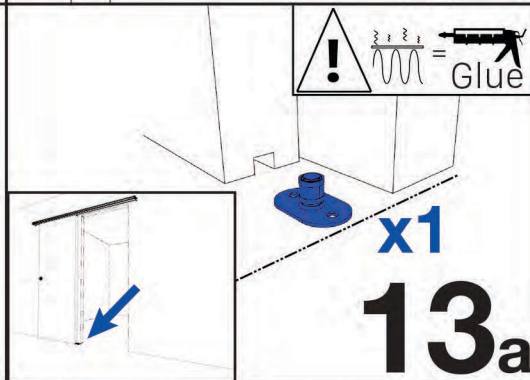
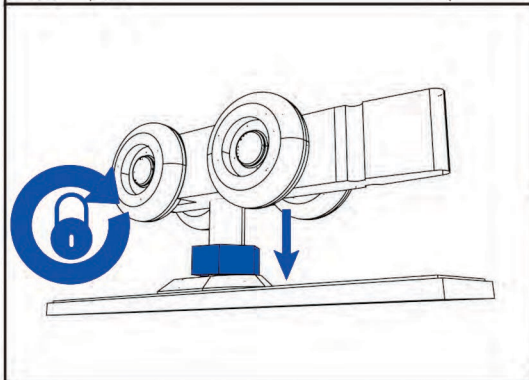
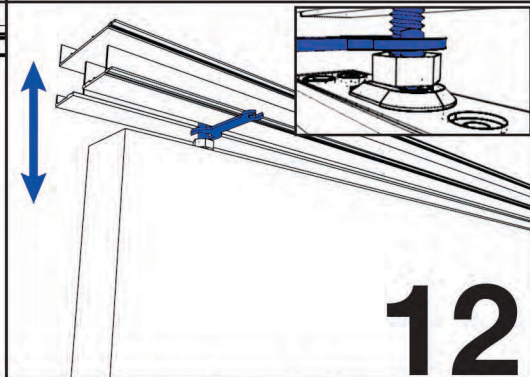
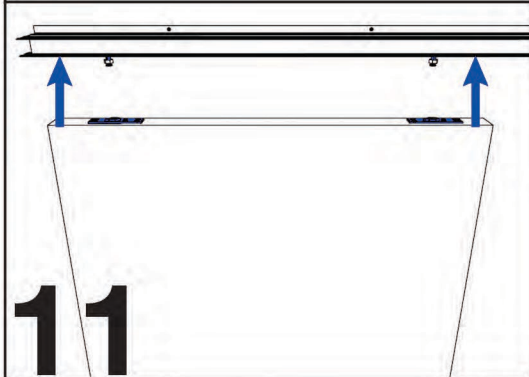
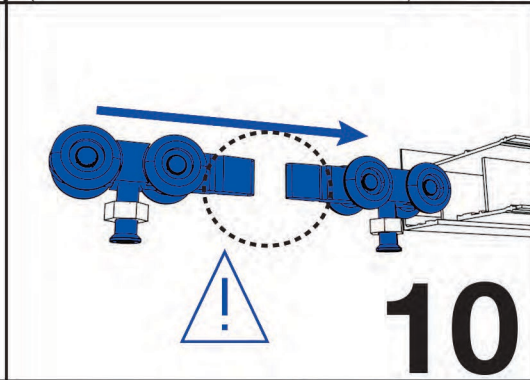
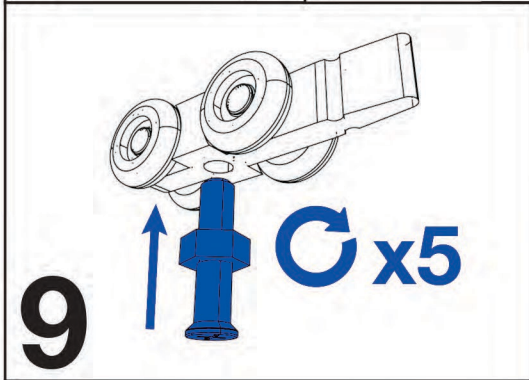
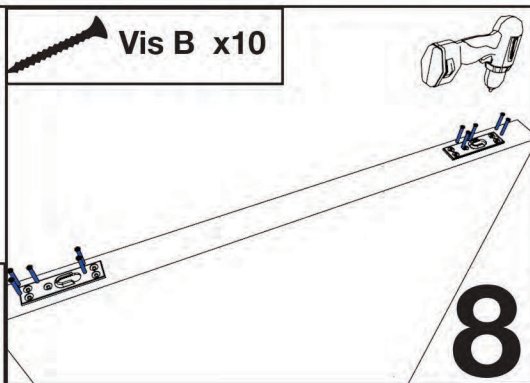
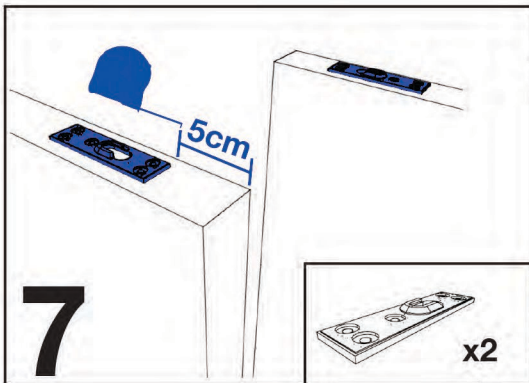
3 (bis) Detail of door attachment with a 6,5cm gap.

4 Securing the top rail with 5 screws.

5 Drilling 5 holes for screws.

5 (bis) Detail of drilling with a 6,5cm gap.

6 Final assembly with 5 screws (Vis A x5).



OPTION / OPCIONES / OPZIONALE

